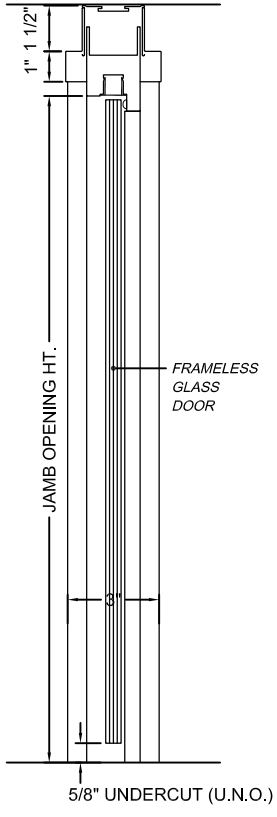


DOOR FRAMES

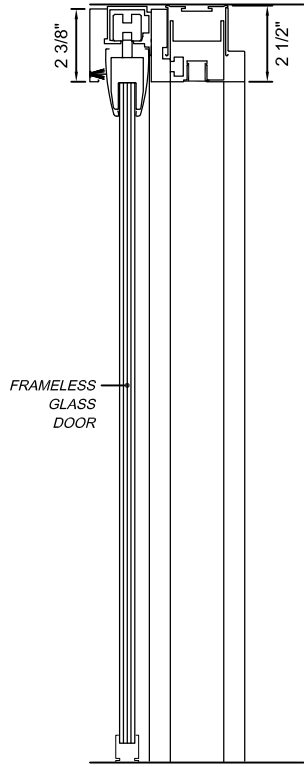
GLASS UNIT

DOOR FRAME, PIVOT - FULL HEIGHT  
1/2" FRAMELESS GLASS DOOR



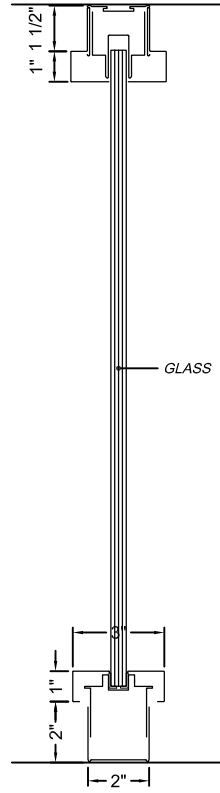
A1

DOOR FRAME, SLIDING - FULL HEIGHT  
1/2" FRAMELESS GLASS DOOR



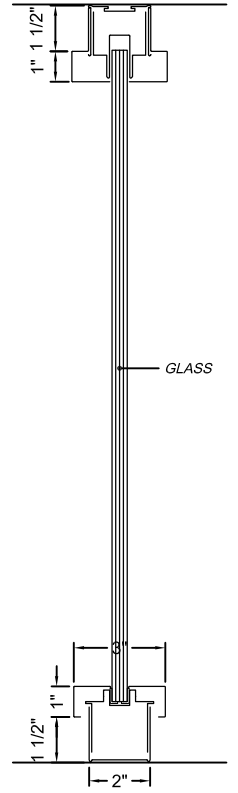
A2

GLASS UNIT  
TRADITIONAL FLOOR

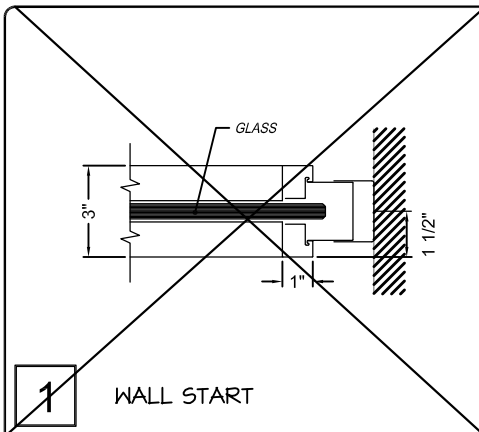


B1

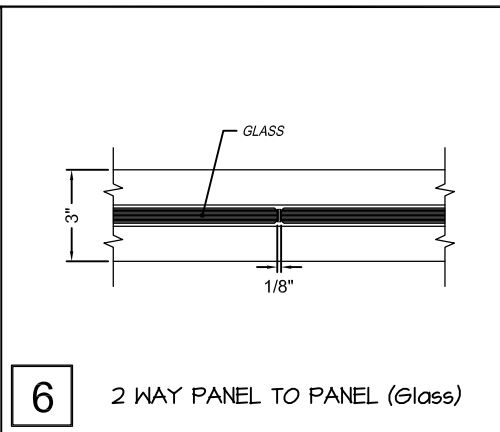
GLASS UNIT  
RAISED | ENGINEERED FLOOR



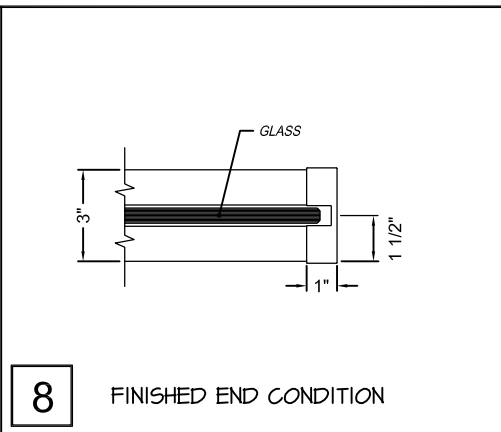
B2



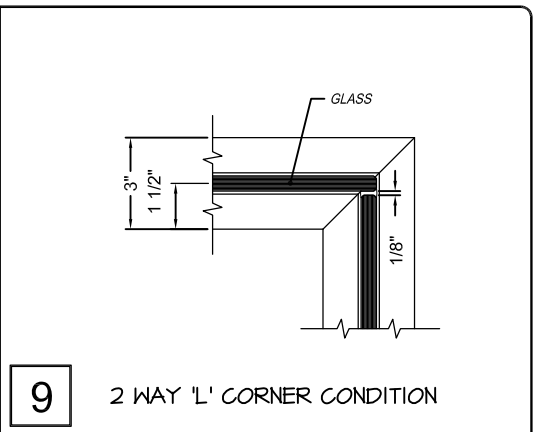
1 WALL START



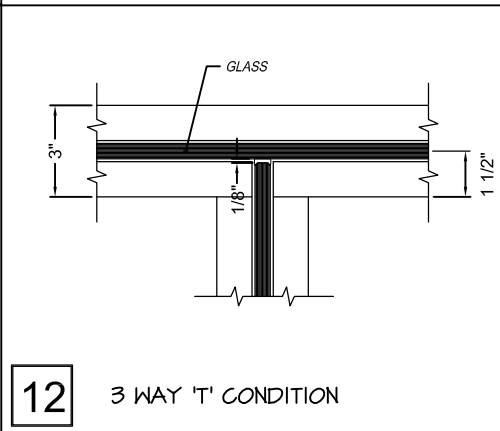
6 2 WAY PANEL TO PANEL (Glass)



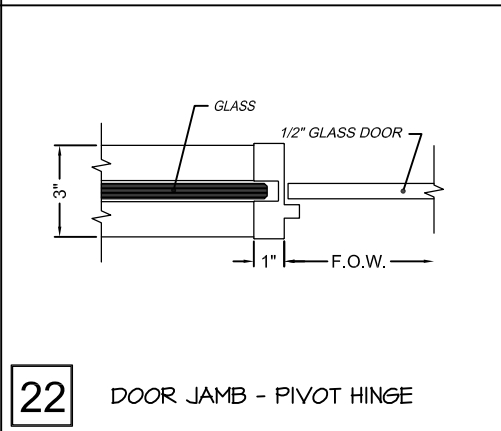
8 FINISHED END CONDITION



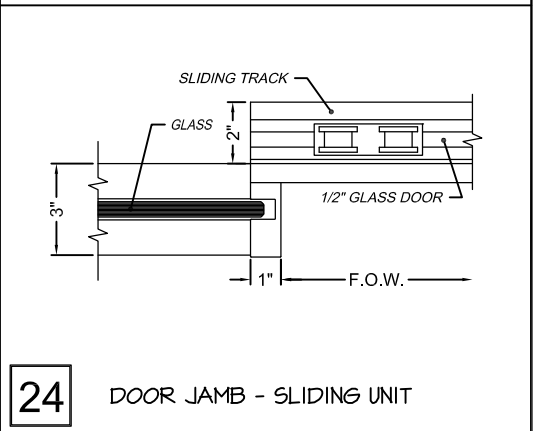
9 2 WAY 'L' CORNER CONDITION



12 3 WAY 'T' CONDITION



22 DOOR JAMB - PIVOT HINGE



24 DOOR JAMB - SLIDING UNIT

ALL DETAILS ARE SUBJECT TO CHANGE AT THE DISCRETION OF TRANSWALL AND WITHOUT NOTIFICATION. REFER TO THE TRANSWALL SHOP DRAWING SPECIFIC TO YOUR PROJECT FOR SPECIFICATIONS | DETAILS.



ONE by Transwall

Transwall Office Systems, Inc  
1220 Wilson Drive  
PO Box 1930  
West Chester PA 19380  
610.429.1400 phone  
610.429.1411 fax  
transwall.com