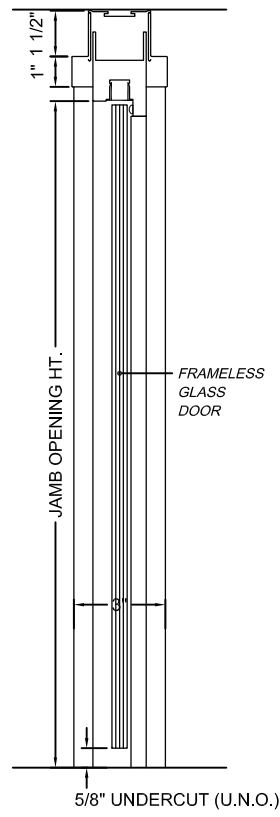


DOOR FRAMES

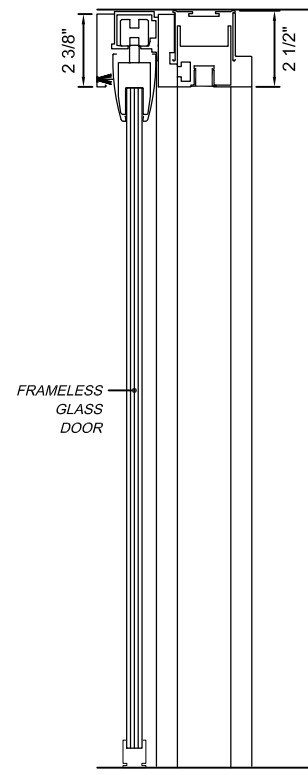
GLASS UNIT

DOOR FRAME, PIVOT - FULL HEIGHT  
1/2" FRAMELESS GLASS DOOR



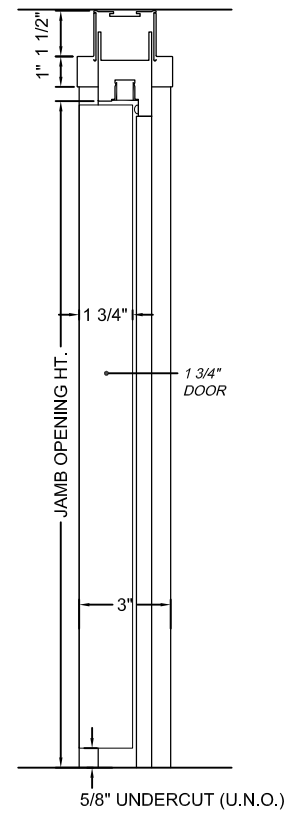
A1

DOOR FRAME, SLIDING - FULL HEIGHT  
1/2" FRAMELESS GLASS DOOR



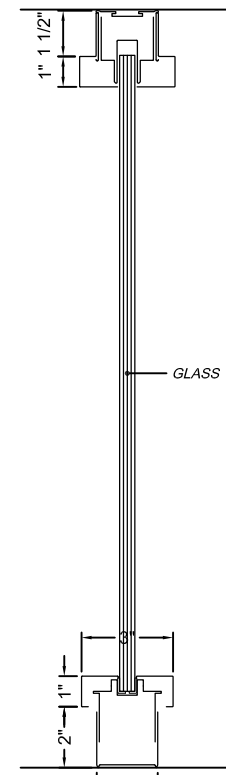
A2

DOOR FRAME, PIVOT - FULL HEIGHT  
1 3/4" DOOR



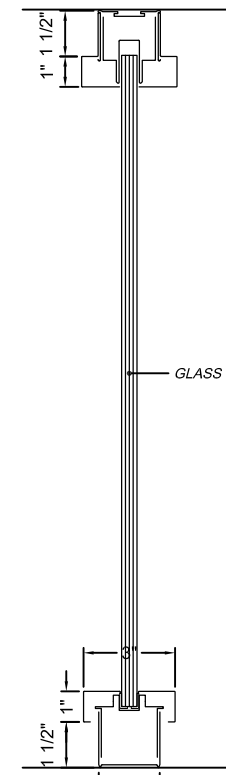
A3

GLASS UNIT  
TRADITIONAL FLOOR

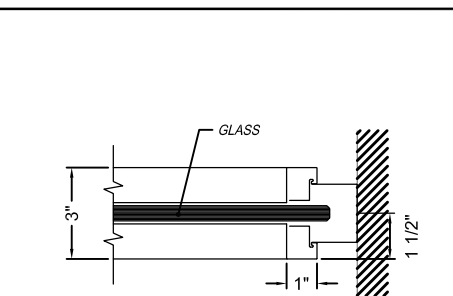


B1

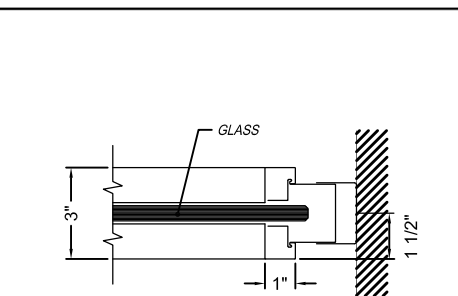
GLASS UNIT  
RAISED / ENGINEERED FLOOR



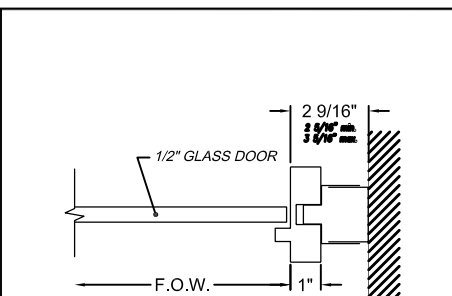
B2



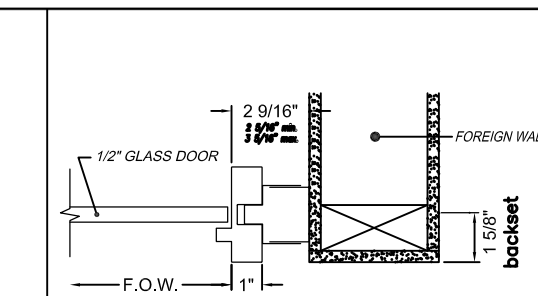
1 WALL START @ PANEL



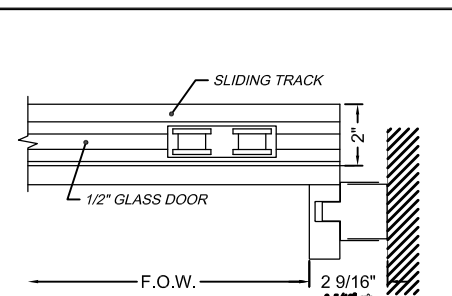
2 WALL START @ PANEL EXTENDED LENGTH



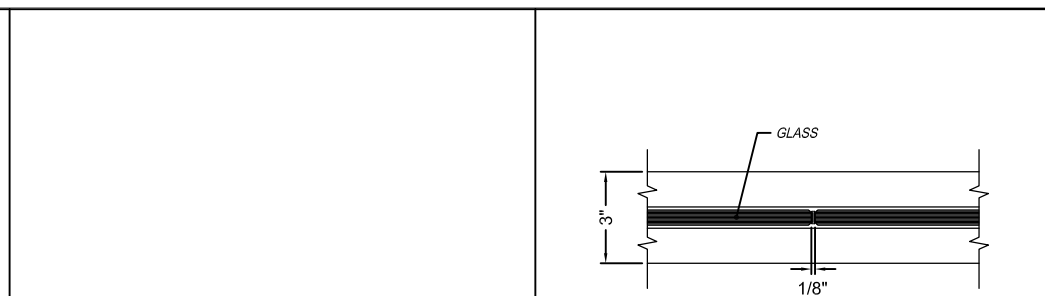
3 WALL START @ DOOR JAMB PIVOT HINGE



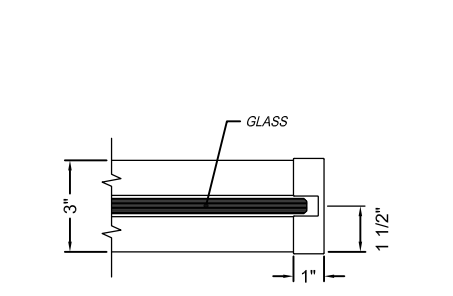
3a WALL START @ DOOR JAMB PIVOT HINGE



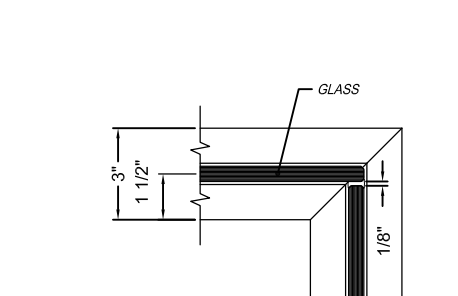
4 WALL START @ DOOR JAMB SLIDING UNIT



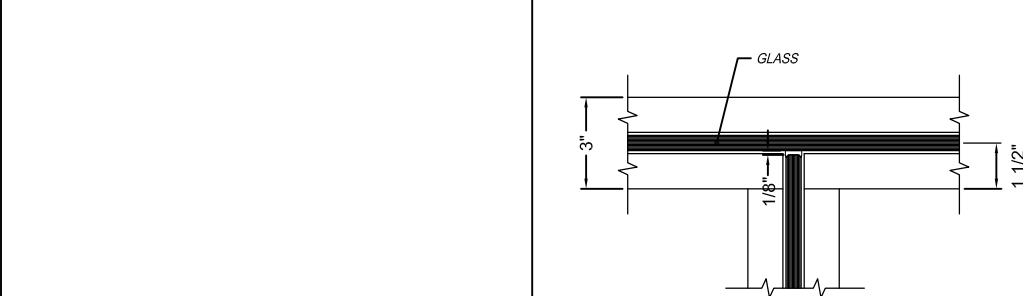
6 2 WAY PANEL TO PANEL (Glass)



8 FINISHED END CONDITION



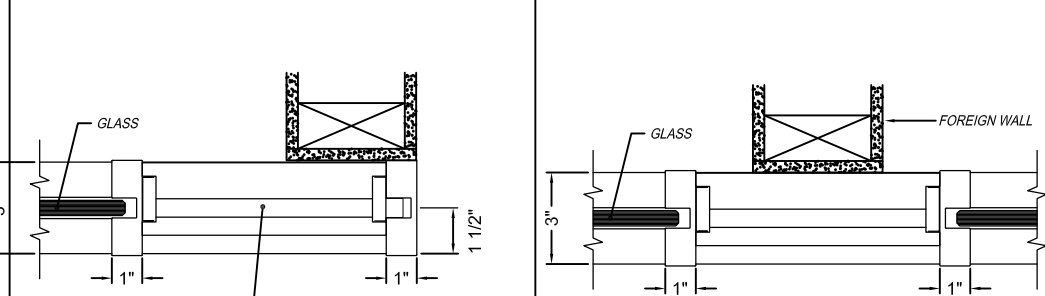
9 2 WAY 'L' CORNER CONDITION



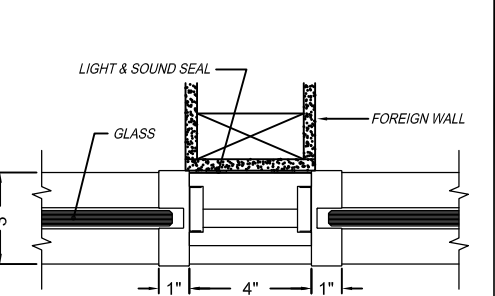
12 3 WAY 'T' CONDITION



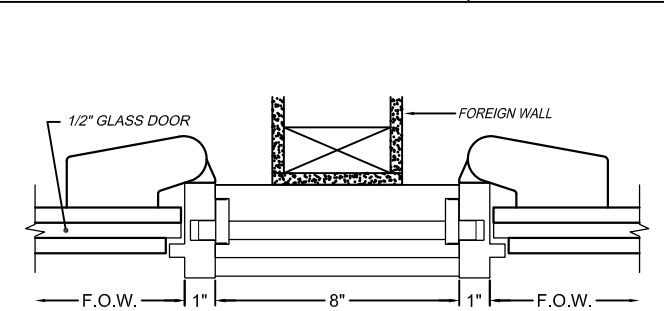
15 BYPASS PANEL @ FINISHED END



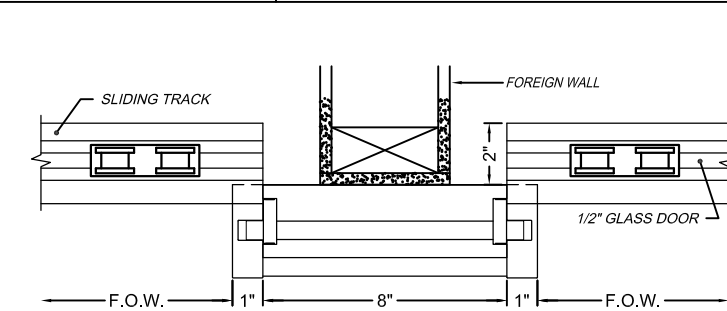
19 BYPASS PANEL GLASS TO GLASS NOTE: 12" MAXIMUM



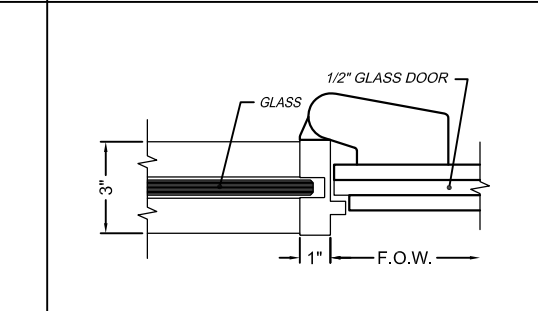
19a BYPASS PANEL GLASS TO GLASS MINIMUM



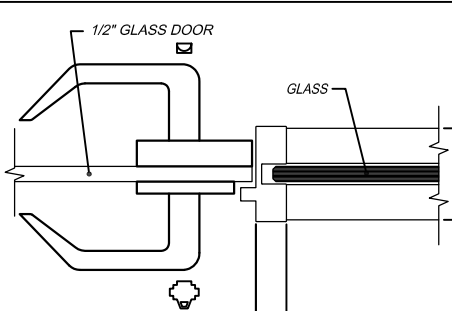
20 BYPASS PANEL PIVOT HINGE DOOR FRAME (BTB)



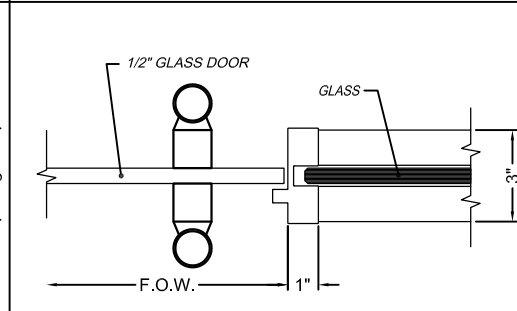
21 BYPASS PANEL SLIDING UNIT DOOR FRAME (BTB)



22 DOOR JAMB - PIVOT HINGE 1/2" FRAMELESS GLASS DOOR HINGE SIDE - OFFSET PIVOT

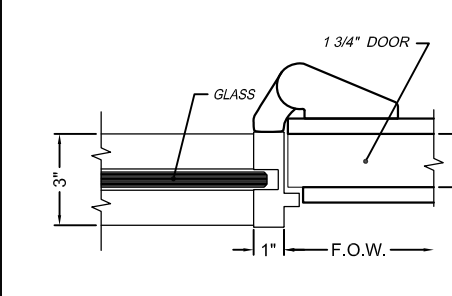


22a DOOR JAMB - PIVOT HINGE 1/2" FRAMELESS GLASS DOOR STRIKE SIDE - FSB LEVERSET

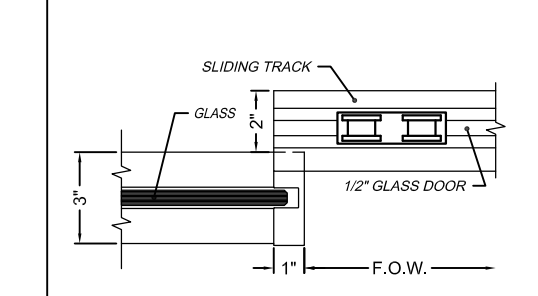


22b DOOR JAMB - PIVOT HINGE 1/2" FRAMELESS GLASS DOOR STRIKE SIDE - NON-LOCKING FULL

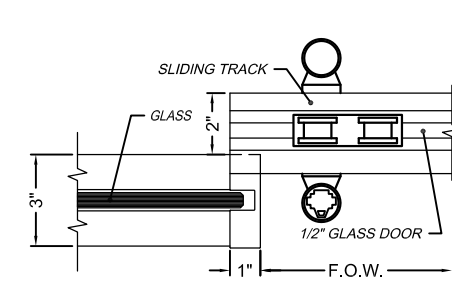
ALL DETAILS ARE SUBJECT TO CHANGE AT THE DISCRETION OF TRANSWALL AND WITHOUT NOTIFICATION. REFER TO THE TRANSWALL SHOP DRAWING SPECIFIC TO YOUR PROJECT FOR SPECIFICATIONS | DETAILS.



23 DOOR JAMB - PIVOT HINGE 1 3/4" DOOR



24 DOOR JAMB - SLIDING UNIT 1/2" FRAMELESS GLASS DOOR



24a DOOR JAMB - SLIDING UNIT 1/2" FRAMELESS GLASS DOOR 60" LOCKING FULL - INSIDE MOUNT

**ONE by Transwall**  
 Transwall Office Systems, Inc  
 1220 Wilson Drive  
 PO Box 1930  
 West Chester PA 19380  
 610.429.1400 phone  
 610.429.1411 fax  
 transwall.com

**Transwall**

ver. 3.0