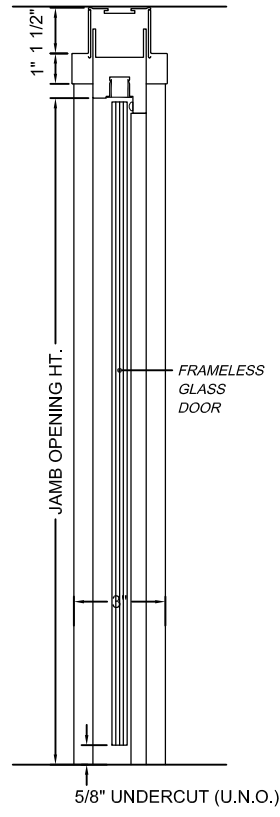


DOOR FRAMES

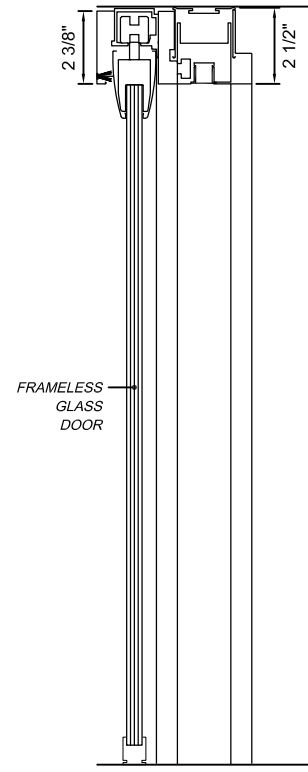
GLASS UNIT

DOOR FRAME, PIVOT - FULL HEIGHT  
1/2" FRAMELESS GLASS DOOR



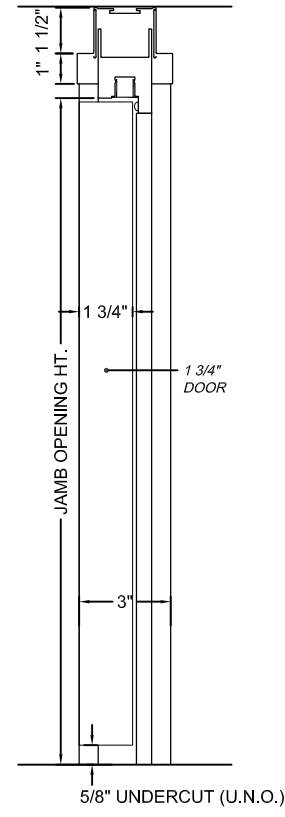
A1

DOOR FRAME, SLIDING - FULL HEIGHT  
1/2" FRAMELESS GLASS DOOR



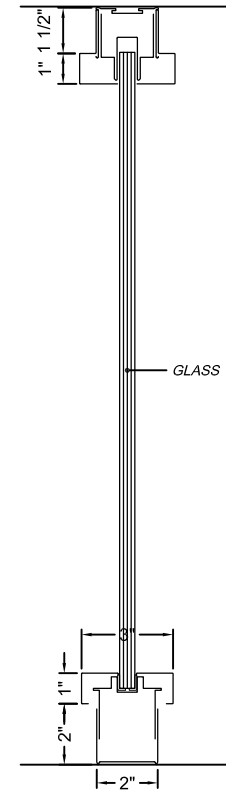
A2

DOOR FRAME, PIVOT - FULL HEIGHT  
1 3/4" DOOR



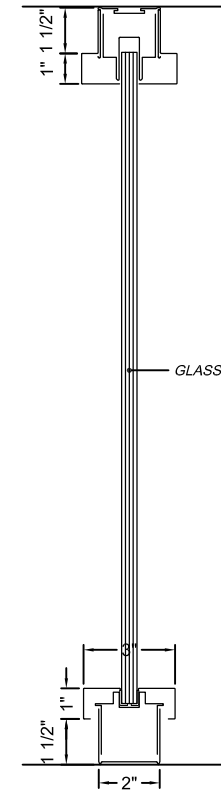
A3

GLASS UNIT  
TRADITIONAL FLOOR

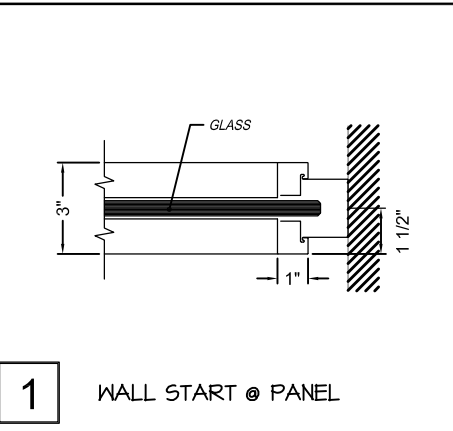


B1

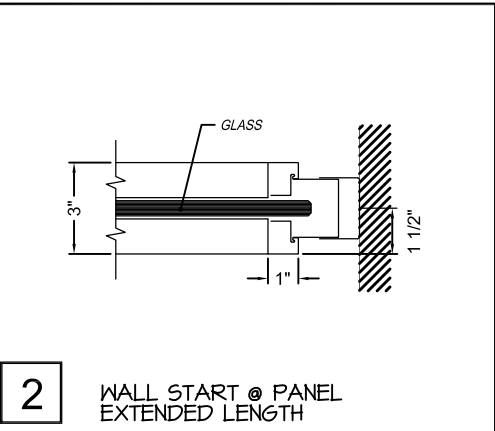
GLASS UNIT  
RAISED / ENGINEERED FLOOR



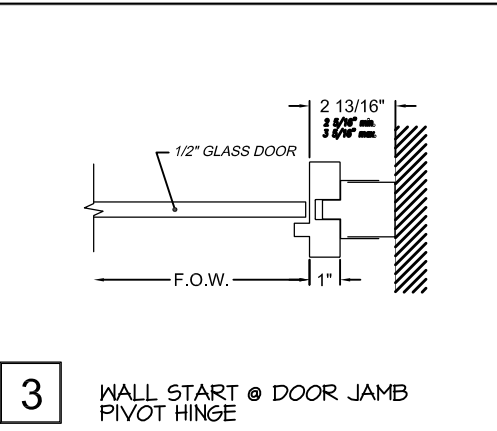
B2



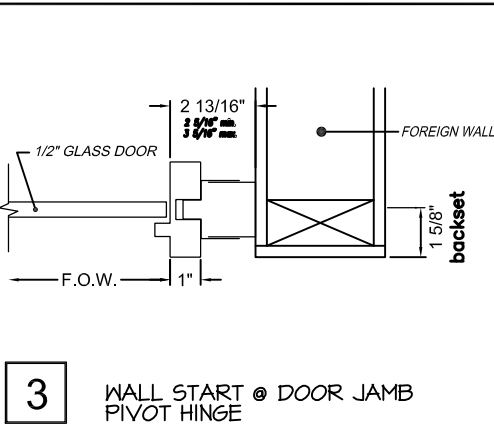
1 WALL START @ PANEL



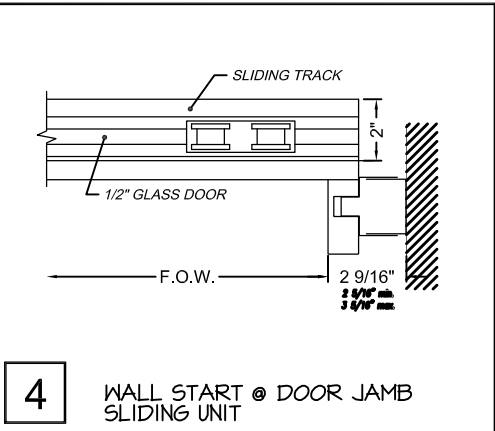
2 WALL START @ PANEL EXTENDED LENGTH



3 WALL START @ DOOR JAMB PIVOT HINGE



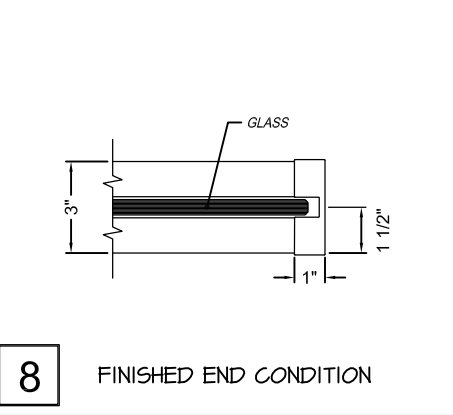
3 WALL START @ DOOR JAMB PIVOT HINGE



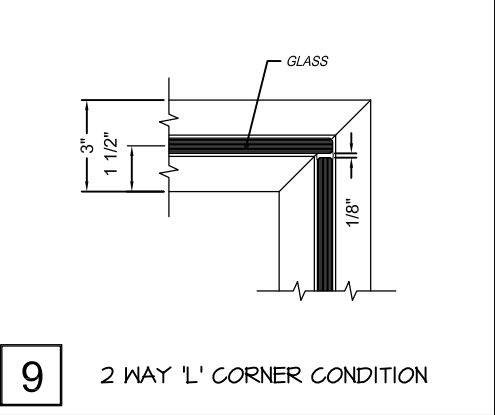
4 WALL START @ DOOR JAMB SLIDING UNIT



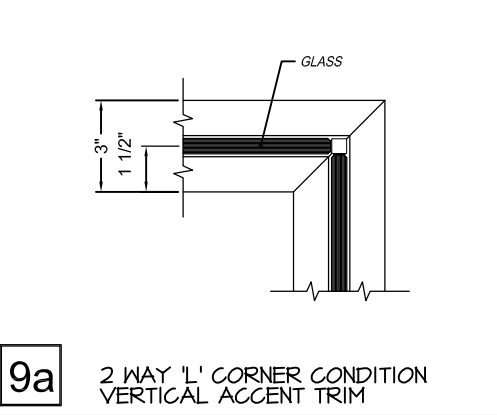
6 2 WAY PANEL TO PANEL (Glass)



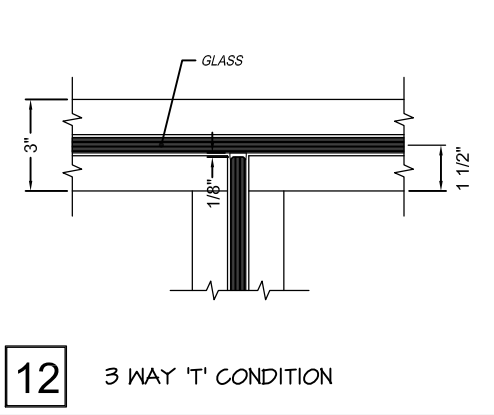
8 FINISHED END CONDITION



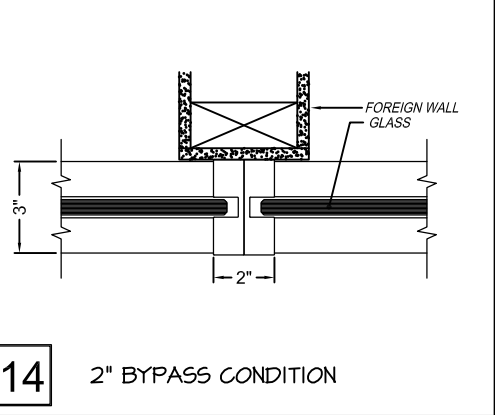
9 2 WAY 'L' CORNER CONDITION



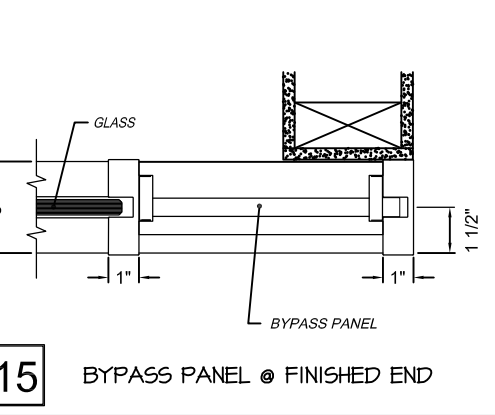
9a 2 WAY 'L' CORNER CONDITION VERTICAL ACCENT TRIM



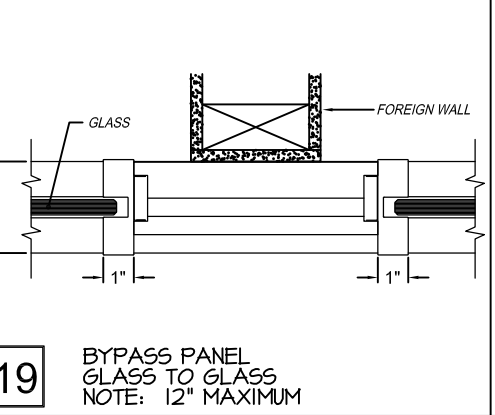
12 3 WAY 'T' CONDITION



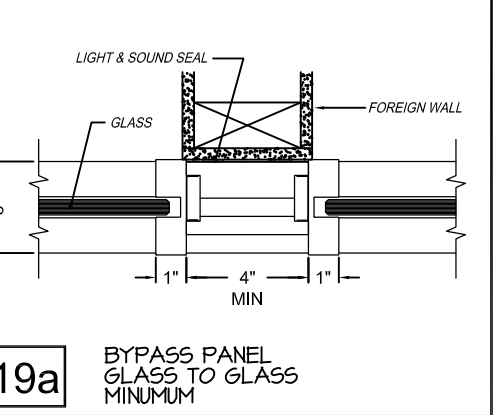
14 2" BYPASS CONDITION



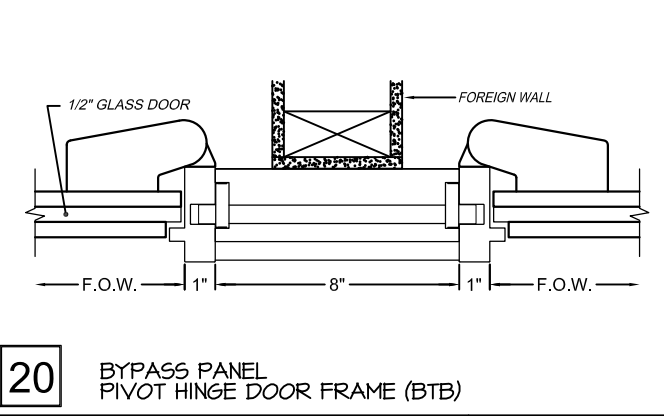
15 BYPASS PANEL @ FINISHED END



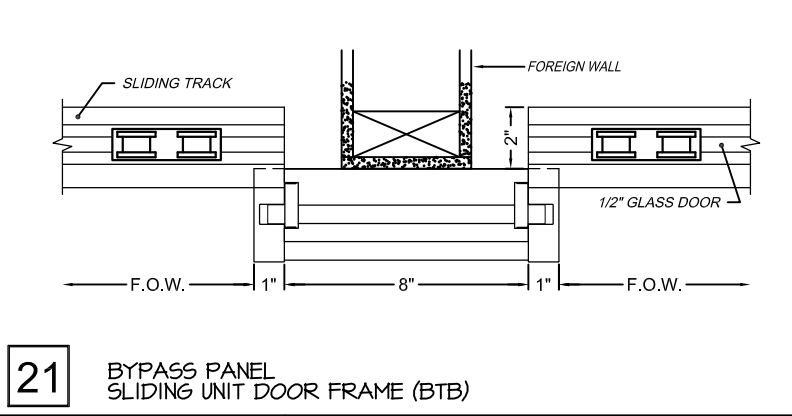
19 BYPASS PANEL GLASS TO GLASS NOTE: 12" MAXIMUM



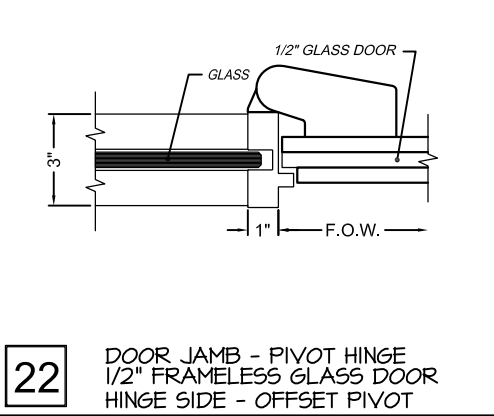
19a BYPASS PANEL GLASS TO GLASS MINIMUM



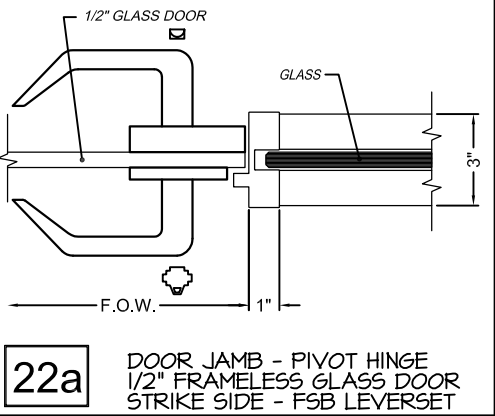
20 BYPASS PANEL PIVOT HINGE DOOR FRAME (BTB)



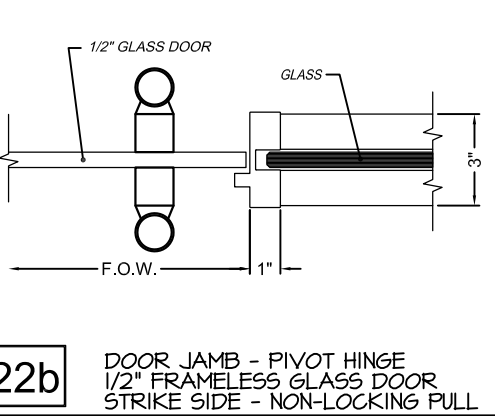
21 BYPASS PANEL SLIDING UNIT DOOR FRAME (BTB)



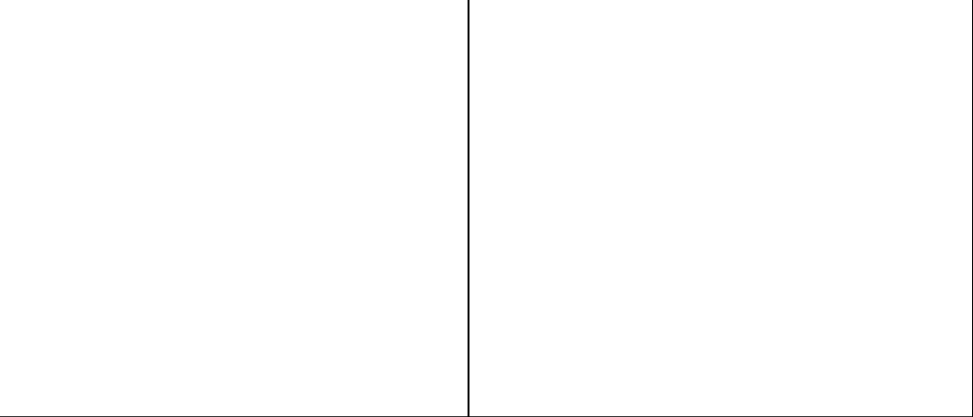
22 DOOR JAMB - PIVOT HINGE 1/2" FRAMELESS GLASS DOOR HINGE SIDE - OFFSET PIVOT



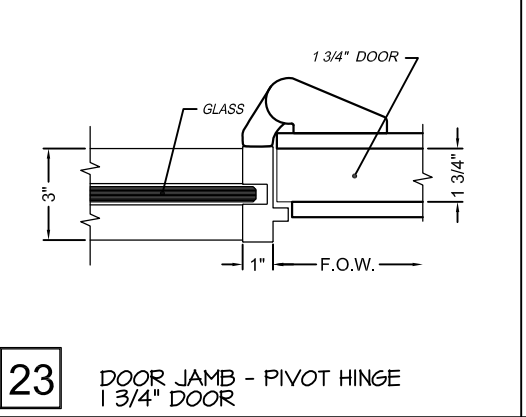
22a DOOR JAMB - PIVOT HINGE 1/2" FRAMELESS GLASS DOOR STRIKE SIDE - FSB LEVERSET



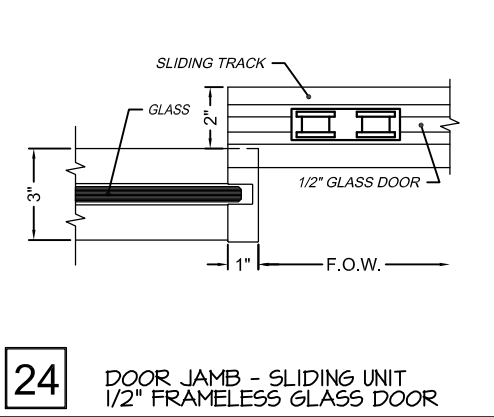
22b DOOR JAMB - PIVOT HINGE 1/2" FRAMELESS GLASS DOOR STRIKE SIDE - NON-LOCKING PULL



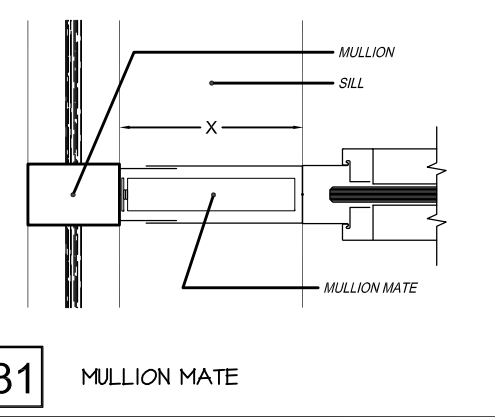
23 DOOR JAMB - PIVOT HINGE 1 3/4" DOOR



24 DOOR JAMB - SLIDING UNIT 1/2" FRAMELESS GLASS DOOR



24a DOOR JAMB - SLIDING UNIT 1/2" FRAMELESS GLASS DOOR 60" LOCKING FULL - INSIDE MOUNT



31 MULLION MATE

ALL DETAILS ARE SUBJECT TO CHANGE AT THE DISCRETION OF TRANSWALL AND WITHOUT NOTIFICATION. REFER TO THE TRANSWALL SHOP DRAWING SPECIFIC TO YOUR PROJECT FOR SPECIFICATIONS | DETAILS.

**Transwall** **ONE** by Transwall

Transwall Office Systems, Inc  
1220 Wilson Drive  
PO Box 1930  
West Chester PA 19380  
610.429.1400 phone  
610.429.1411 fax  
transwall.com

ver. 4.1