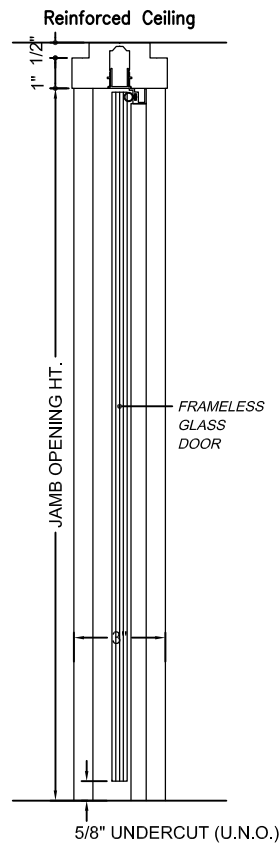


DOOR FRAMES

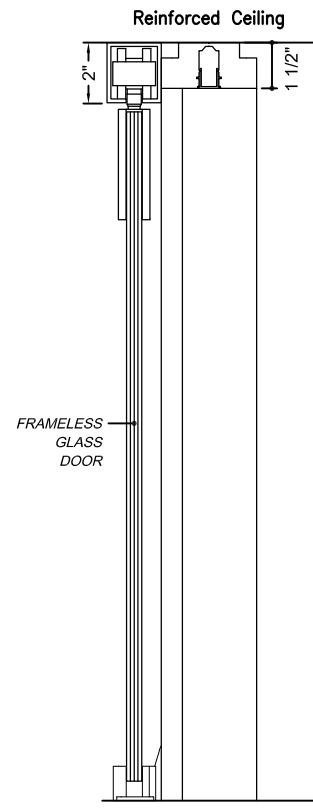
GLASS UNIT

DOOR FRAME, PIVOT - FULL HEIGHT  
1/2" FRAMELESS GLASS DOOR



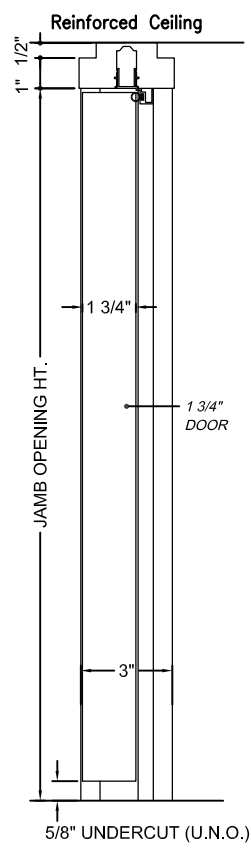
A1

DOOR FRAME, SLIDING - FULL HEIGHT  
1/2" FRAMELESS GLASS DOOR



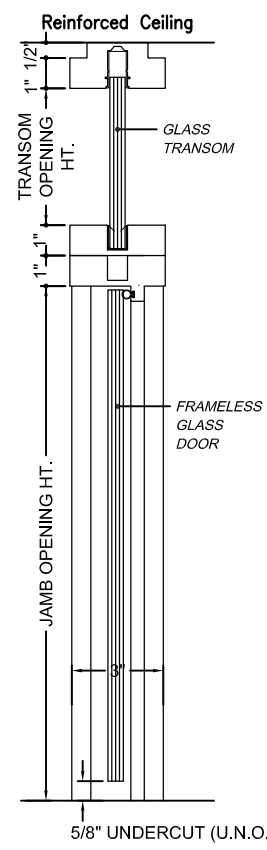
A2

DOOR FRAME, PIVOT - FULL HEIGHT  
1 3/4" DOOR



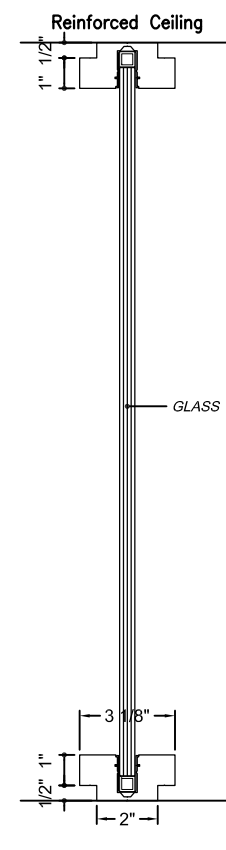
A3

DOOR FRAME, PIVOT - GLASS TRANSOM  
1/2" FRAMELESS GLASS DOOR

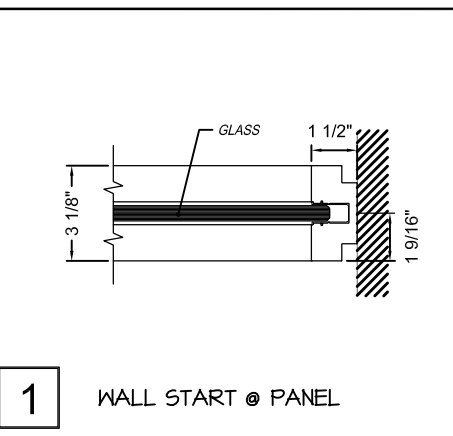


A4

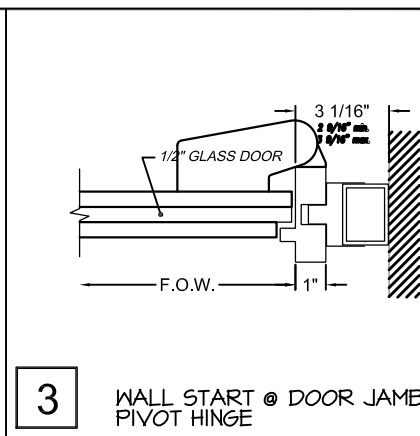
GLASS UNIT  
RAISED / ENGINEERED / FLOATED FLOOR



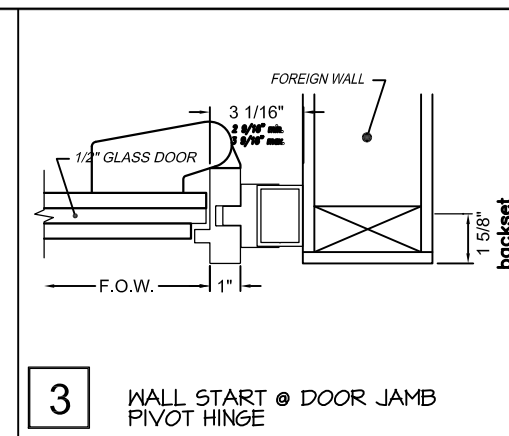
B1



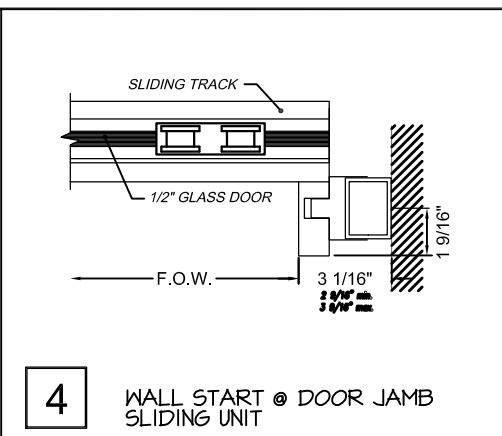
1 WALL START @ PANEL



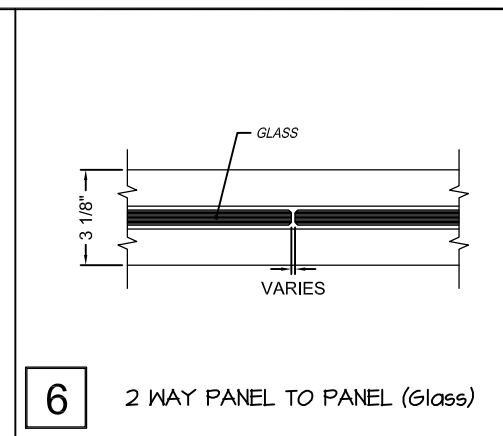
3 WALL START @ DOOR JAMB PIVOT HINGE



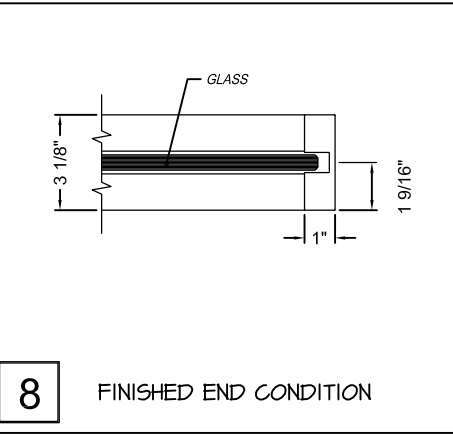
3 WALL START @ DOOR JAMB PIVOT HINGE



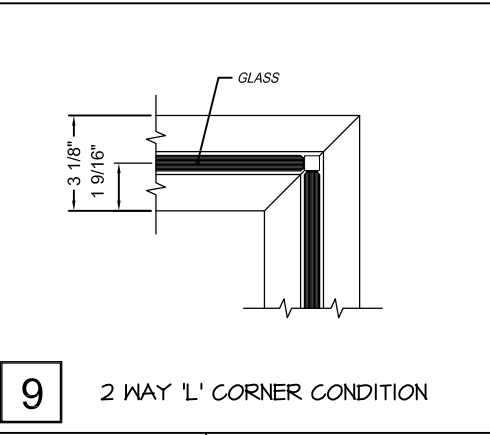
4 WALL START @ DOOR JAMB SLIDING UNIT



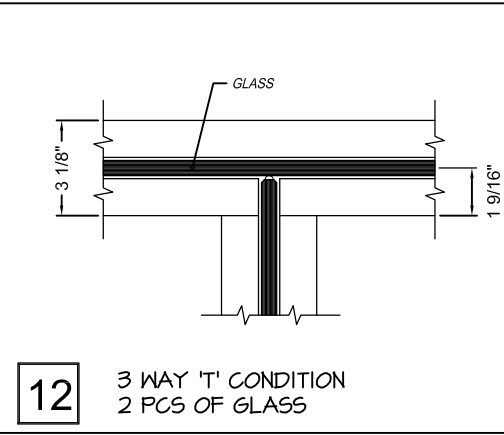
6 2 WAY PANEL TO PANEL (Glass)



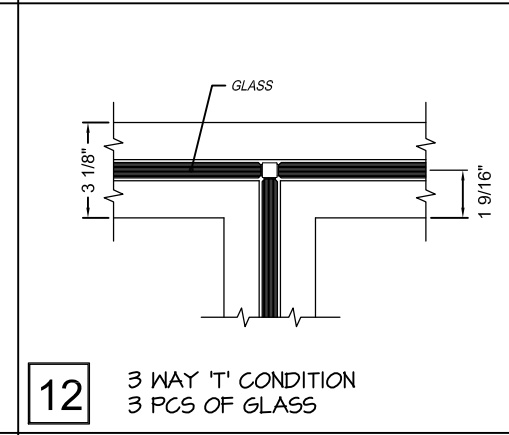
8 FINISHED END CONDITION



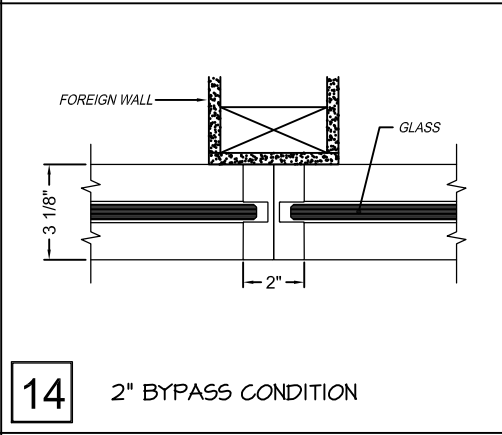
9 2 WAY 'L' CORNER CONDITION



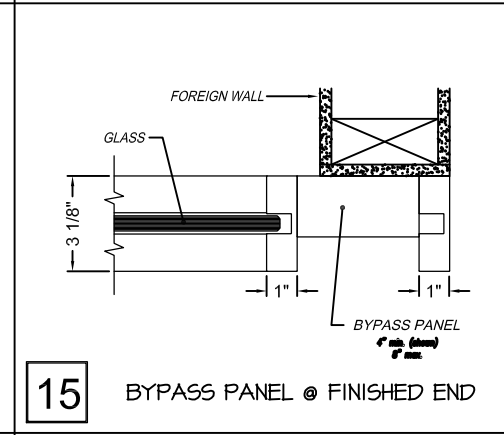
12 3 WAY 'T' CONDITION 2 PCS OF GLASS



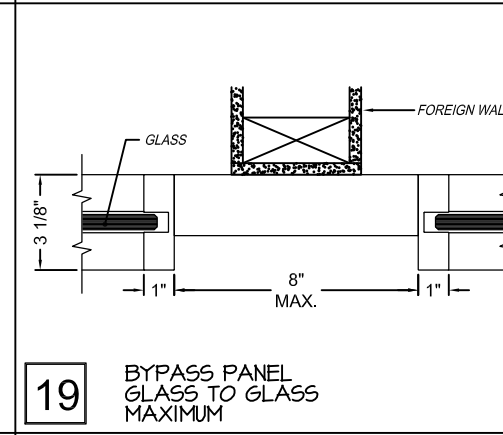
12 3 WAY 'T' CONDITION 3 PCS OF GLASS



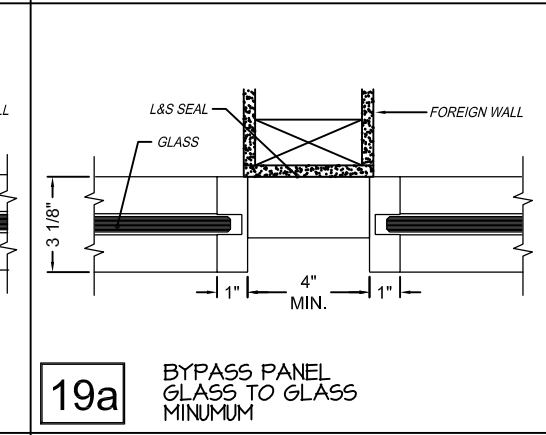
14 2" BYPASS CONDITION



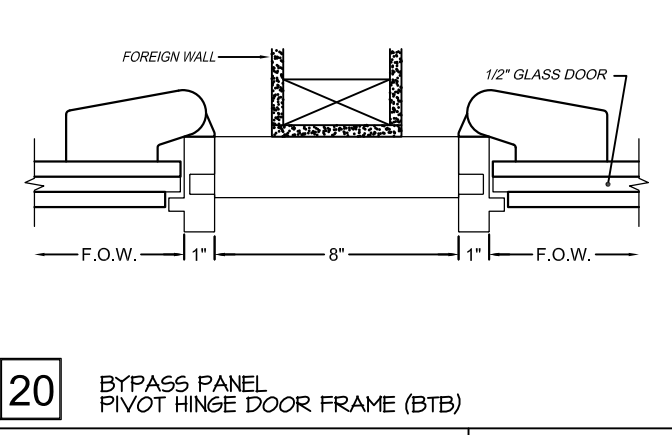
15 BYPASS PANEL @ FINISHED END



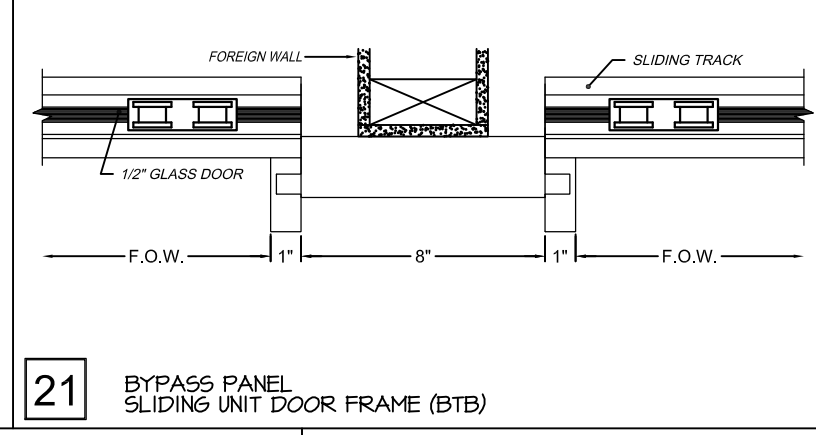
19 BYPASS PANEL GLASS TO GLASS MAXIMUM



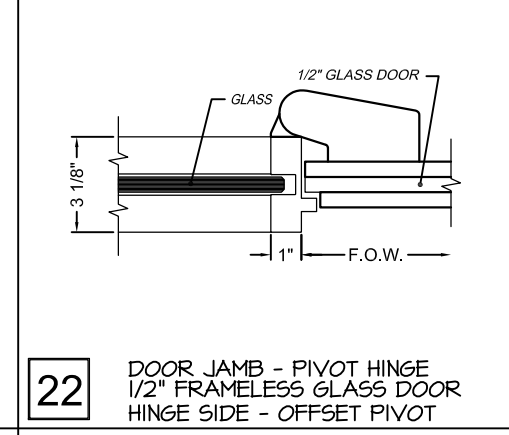
19a BYPASS PANEL GLASS TO GLASS MINIMUM



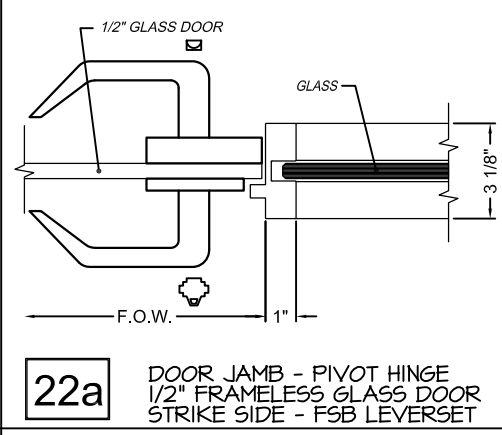
20 BYPASS PANEL PIVOT HINGE DOOR FRAME (BTB)



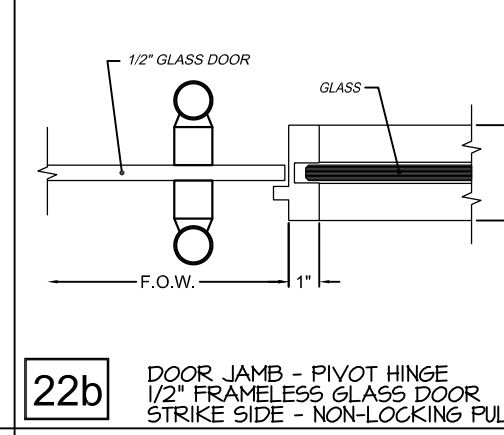
21 BYPASS PANEL SLIDING UNIT DOOR FRAME (BTB)



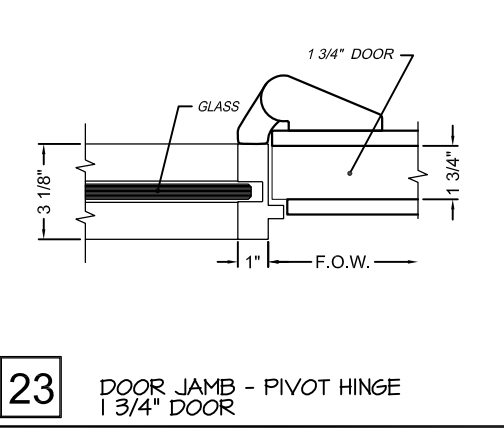
22 DOOR JAMB - PIVOT HINGE 1/2" FRAMELESS GLASS DOOR HINGE SIDE - OFFSET PIVOT



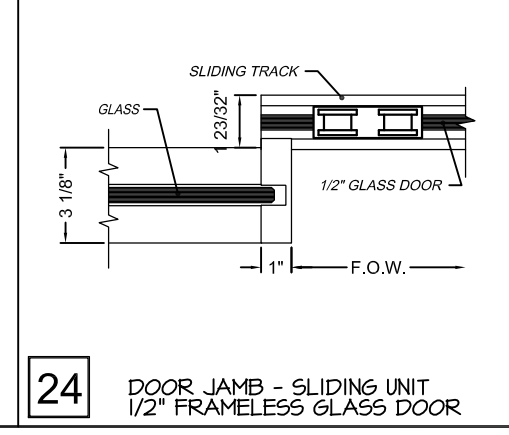
22a DOOR JAMB - PIVOT HINGE 1/2" FRAMELESS GLASS DOOR STRIKE SIDE - FSB LEVERSET



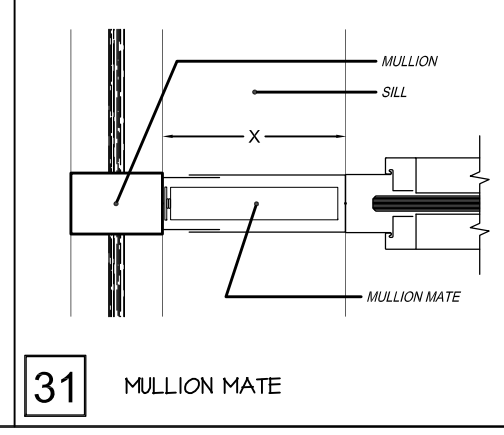
22b DOOR JAMB - PIVOT HINGE 1/2" FRAMELESS GLASS DOOR STRIKE SIDE - NON-LOCKING PULL



23 DOOR JAMB - PIVOT HINGE 1 3/4" DOOR



24 DOOR JAMB - SLIDING UNIT 1/2" FRAMELESS GLASS DOOR



31 MULLION MATE

ALL DETAILS ARE SUBJECT TO CHANGE AT THE DISCRETION OF TRANSWALL AND WITHOUT NOTIFICATION. REFER TO THE TRANSWALL SHOP DRAWING SPECIFIC TO YOUR PROJECT FOR SPECIFICATIONS | DETAILS.

**Transwall** **ONE LP**  
 Transwall Office Systems, Inc  
 1220 Wilson Drive  
 PO Box 1930  
 West Chester PA 19380  
 610.429.1400 phone  
 610.429.1411 fax  
 transwall.com